

# WARDROBE LOCKERS



Metal wardrobe lockers guarantee both functionality and aesthetics of the social rooms in factories, schools, gyms, fitness clubs, swimming pools, military rooms, etc. The proper arranging of such rooms, taking into account the most diverse requirements and needs, ensures well-being and raises the standard of workplace learning.



## WDL A WARDROBE LOCKERS

- All lockers are manufactured from steel sheet. There is a possibility to produce lockers made of various kind of metal sheets (stainless, galvanized, acid proof).
- Lockers are powder coated.
- We offer lockers in various price versions – depending on the type of the sheet and its thickness.
- Doors have the ventilation holes which allow exchange of the air between the locker and the room.

### LOCKERS – SHEET TYPES

- Steel + powder coated
- Galvanized + powder coated = additional protection against corrosion
- Acid-proof = additional protection against corrosion



WDL A 42



WDL 32-1



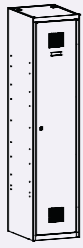

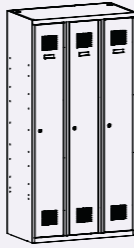

WDL 42 + bench


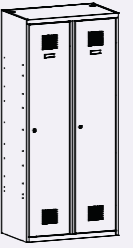
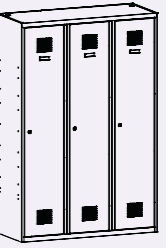


WDL 42-1k



### TECHNICAL SPECIFICATION

300mm wide without partition wall					
	<b>Designation</b>	WDL A 31	WDL A 32	WDL A 33	WDL A 34
	<b>Code</b>	WDL 401001	WDL 401002	WDL 401003	WDL 401004
	<b>Height (mm)</b>	1800			
	<b>Width (mm)</b>	300	600	900	1200
	<b>Depth (mm)</b>	500			
	<b>Number of units</b>	1	2	3	4

400 mm wide lockers with an internal partition wall				
	<b>Designation</b>	WDL A 41	WDL A 42	WDL A 43
	<b>Code</b>	WDL 401005	WDL 401006	WDL 401007
	<b>Height (mm)</b>	1800		
	<b>Width (mm)</b>	400	800	1200
	<b>Depth (mm)</b>	500		
	<b>Number of units</b>	1	2	3

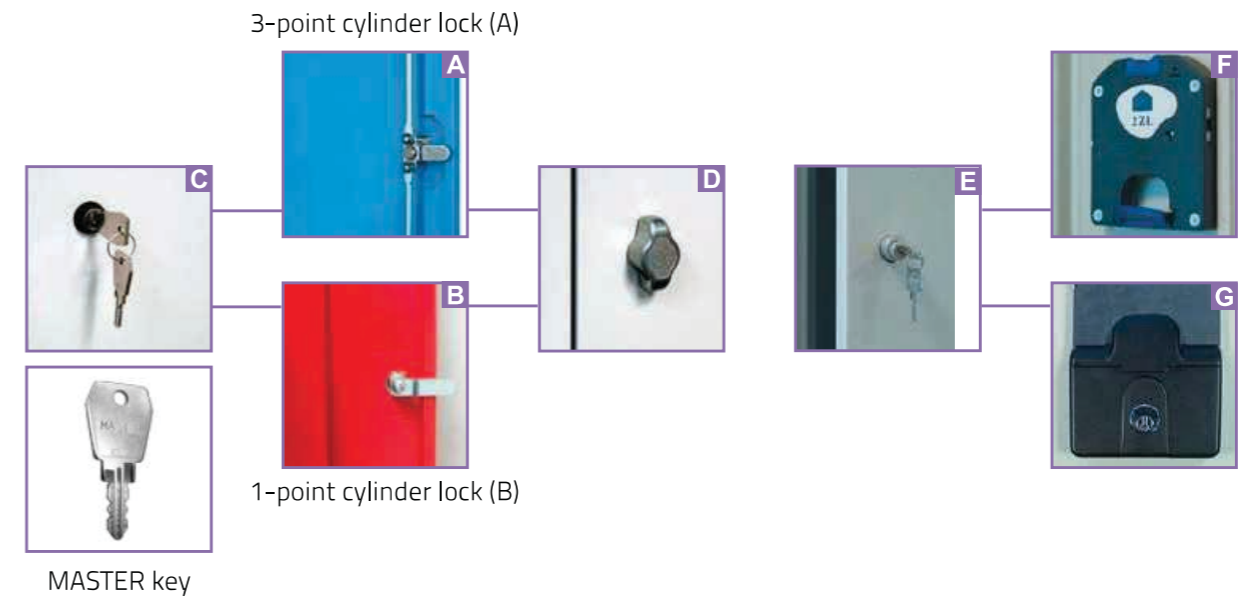
## WDL B WARDROBE LOCKERS

- Locker with compartments, due to their functionality, diversity and aesthetic appearance can be used in cloakrooms, kindergartens, schools, swimming pools, fitness clubs, railway stations for keeping luggage, in supermarket, at work place for keeping bags and helmets, etc.
- Ventilation slots in the doors allow exchange of air in the locker.
- Locker with compartments are available in various price versions – depending on the steel sheet type and its thickness.



### TYPES OF LOCKS:

- As options Euro-lock type key lock (C) or a padlock for hanging locks can be used (D).
- There is a possibility to order lockers with the MASTER key (one key can open particular number of locks).
- Other available (for an additional charge) locks:
  - water-resistant cylindrical locks (a brass insert and a key)
  - coin locks (E) – with return (F) and without return (G)
  - code locks and others – on customer's request.






### ADDITIONAL EQUIPMENT :

- a plastic bar with hooks
- a shelf above the bar
- inner partition (in the column width of 400 mm)
- a mirror
- a hanger
- lockers may have slanted tops that facilitate cleanliness



### TECHNICAL SPECIFICATION

			
Designation	WDL B 32-2	WDL B 32-4	WDL B 32-5
Code	WDL 401008	WDL 401009	WDL 401010
Height (mm)	1800		
Width (mm)	600		
Depth (mm)	500		
Number of units	2		



WDL B 32-2

WDL B 32-4

WDL B 32-5



slanted top



WDL cocker socle, to be screwed to the locker (140 mm high)



base frame with legs for WDL locker (140 mm high)



base with a bench with adjustable feet



base with bench with adjustable feet



base with bench with adjustable feet – economic version



base with extendable bench with adjustable feet



base with a bench with adjustable feet – economic version

## WDL C WARDROBE LOCKERS

- In order to make use of small spaces such as cloakrooms, we offer the L-shape wardrobe locker.
- Lockers are manufactured as single or double units. They can be placed on the wardrobe lockers.
- We offer lockers in various price versions, depending on the steel sheet type and its thickness.
- 1-point lock as a standard.

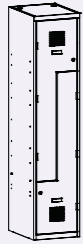
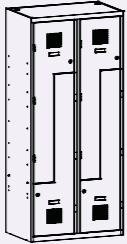


## METAL RECYCLING BIN

Bins for in-door use, to separate wastes: plastic, paper, glass. Body is made of powder-coated steel sheet. Slanted top prevent wastes from building-up on top of the bin. Self-closing lids prevent precipitation of smell.

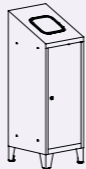
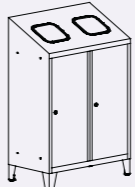
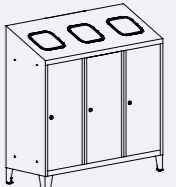
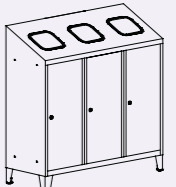
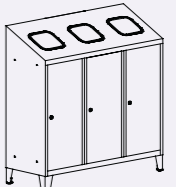
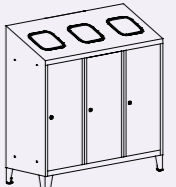
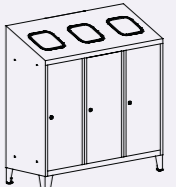
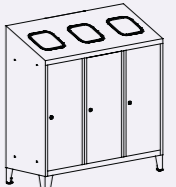
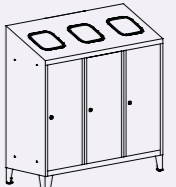


### TECHNICAL SPECIFICATION

		
Designation	WDL C 41	WDL C 42
Code	WDL 401011	WDL 401012
Height (mm)	1800	
Width (mm)	400	800
Depth (mm)	500	
Quantity of doors	2	4



### TECHNICAL SPECIFICATION

									
Designation	WDL R 01-r	WDL R 01-k	WDL R 02-r	WDL R 02-k	WDL R 02-rk	WDL R 03-r	WDL R 03-k	WDL R 03-rrk	WDL R 03-krk
Code	WDL 401013	WDL 401014	WDL 401015	WDL 401016	WDL 401017	WDL 401018	WDL 401019	WDL 401020	WDL 401021
Height (mm)	1220								
Width (mm)	400		800			1200			
Depth (mm)	450								
Equipment	1 extendable frame	1 bin	2 extendable frames	2 bins	1 extendable frame + 1 bin	3 extendable frames	3 bins	2 extendable frame + 1 bin	2 bins + 1 extendable frame

## CANTEEN LOCKERS

Canteen lockers to store food and personal items are ideal choice in dining areas, buffets and canteens.


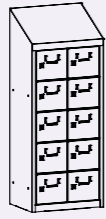
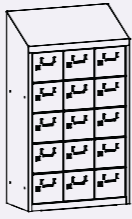
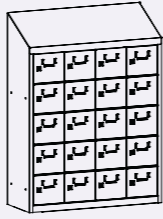
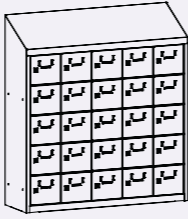


## CABINETS FOR CLEANING STAFF

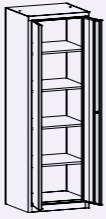
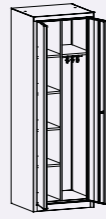
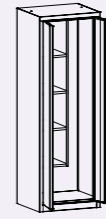
Multifunctional cabinets are designed for administrative and cleaning purposes. The equipment of the cabinets allows keeping clothes, cleaning products, buckets, brushes, etc. Adjustable shelves.



### TECHNICAL SPECIFICATION

					
Designation	WDL B 21-5	WDL B 22-5	WDL B 23-5	WDL B 24-5	WDL B 25-5
Code	WDL 401022	WDL 401023	WDL 401024	WDL 401025	WDL 401026
Height (mm)	1090				
Width (mm)	240	430	620	810	1000
Depth (mm)	300				
Quantity of doors	5	10	15	20	25

### TECHNICAL SPECIFICATION

			
Designation	WDL 60	WDL 61	WDL 62
Code	WDL 401027	WDL 401028	WDL 401029
Height (mm)	1800		
Width (mm)	600		
Depth (mm)	500		
Equipment	4 shelves	- compartment with shelves - compartment with a shelf and a bar for clothes	- compartment with shelves - compartment for keeping brushes, mops and a bucket



WDL 60

WDL 61

WDL 62

## LOCKER FOR DRYING CLOTHES

Wardrobe lockers with heating and ventilation for drying clothes is a very practical and modern specialist equipment. Heated clothes drying lockers are designed to dry wet clothes, shoes and gloves in closed rooms. This is a perfect solution wherever environmental conditions cause dampness. They are e.g. construction sites, airports, mines, and many other.

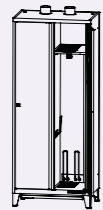
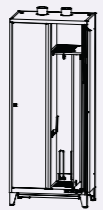
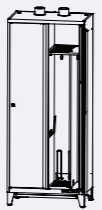
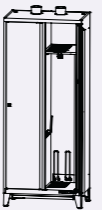
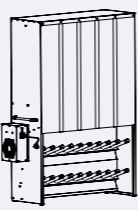


## METAL LOCKERS

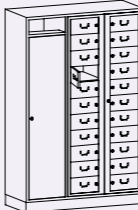
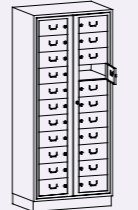
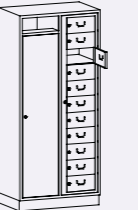
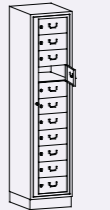
- The common frame allows opening all compartments at the same time and placing clean gloves for each worker at one time, then each worker opens his compartment and takes his gloves out.
- The module of the locker also contains the compartment for hanging bag for dirty clothes.



### TECHNICAL SPECIFICATION

					
Designation	WDL 42-1	WDL 42-1	WDL 42-1	WDL 42-1	Cabinet for clothes and shoes' drying
Code	WDL 401030	WDL 401031	WDL 401032	WDL 401033	WDL 401034
Height (mm)	2006				1971
Width (mm)	800				1515
Depth (mm)	490				500
Equipment	- ventilation and heating 1000 W	- ventilation and heating 1000 W, - internal partitions in compartments	- ventilation and heating 1000 W, - internal partitions in compartments, - a time switch, - power socket to link 3 lockers	- ventilation, - power socket to link 3 lockers	- a bar for clothes, - 20 pipes for shoes, - 2 heating and ventilation modules, - 2 handles to move the cabinet, - leveling feet

### TECHNICAL SPECIFICATION

				
Designation	WDL 1	WDL 2	WDL 3	WDL 4
Code	WDL 401035	WDL 401036	WDL 401037	WDL 401038
Height (mm)	1900			
Width (mm)	1225	820	840	435
Depth (mm)	500			
Quantity of compartments	22 + chamber	22	11 + chamber	11



WDL 3