

METAL RECYCLING BIN

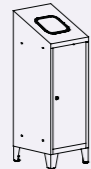
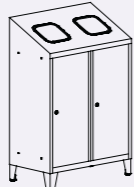
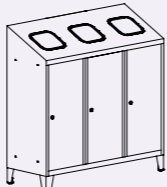
Bins for in-door use, to separate wastes: plastic, paper, glass. Body is made of powder-coated steel sheet. Slanted top prevent wastes from building-up on top of the bin. Self-closing lids prevent precipitation of smell.

CANTEEN LOCKERS


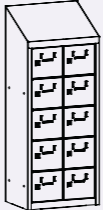
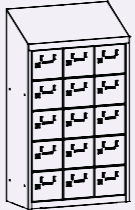
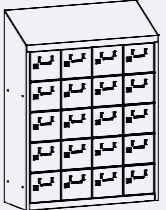
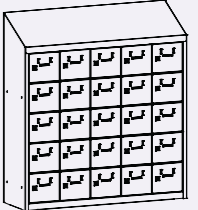
Canteen lockers to store food and personal items are ideal choice in dining areas, buffets and canteens.



TECHNICAL SPECIFICATION

| |  | |  | | |  | | | |
|-------------|---|------------|---|------------|----------------------------|---|------------|----------------------------|-----------------------------|
| Designation | WDL R 01-r | WDL R 01-k | WDL R 02-r | WDL R 02-k | WDL R 02-rk | WDL R 03-r | WDL R 03-k | WDL R 03-rrk | WDL R 03-kkr |
| Code | WDL 401013 | WDL 401014 | WDL 401015 | WDL 401016 | WDL 401017 | WDL 401018 | WDL 401019 | WDL 401020 | WDL 401021 |
| Height (mm) | 1220 | | | | | | | | |
| Width (mm) | 400 | | 800 | | | 1200 | | | |
| Depth (mm) | 450 | | | | | | | | |
| Equipment | 1 extendable frame | 1 bin | 2 extendable frames | 2 bins | 1 extendable frame + 1 bin | 3 extendable frames | 3 bins | 2 extendable frame + 1 bin | 2 bins + 1 extendable frame |

TECHNICAL SPECIFICATION

| |  |  |  |  |  |
|-------------------|---|---|---|---|---|
| Designation | WDL B 21-5 | WDL B 22-5 | WDL B 23-5 | WDL B 24-5 | WDL B 25-5 |
| Code | WDL 401022 | WDL 401023 | WDL 401024 | WDL 401025 | WDL 401026 |
| Height (mm) | 1090 | | | | |
| Width (mm) | 240 | 430 | 620 | 810 | 1000 |
| Depth (mm) | 300 | | | | |
| Quantity of doors | 5 | 10 | 15 | 20 | 25 |

CABINETS FOR CLEANING STAFF

Multifunctional cabinets are designed for administrative and cleaning purposes. The equipment of the cabinets allows keeping clothes, cleaning products, buckets, brushes, etc. Adjustable shelves.

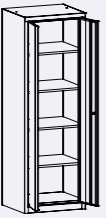
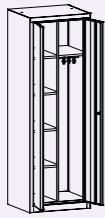
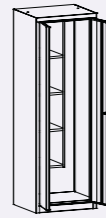


LOCKER FOR DRYING CLOTHES

Wardrobe lockers with heating and ventilation for drying clothes is a very practical and modern specialist equipment. Heated clothes drying lockers are designed to dry wet clothes, shoes and gloves in closed rooms. This is a perfect solution wherever environmental conditions cause dampness. They are e.g. construction sites, airports, mines, and many other.





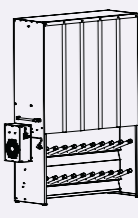


TECHNICAL SPECIFICATION

| |  |  |  |
|--------------------|---|---|---|
| Designation | WDL 60 | WDL 61 | WDL 62 |
| Code | WDL 401027 | WDL 401028 | WDL 401029 |
| Height (mm) | 1800 | | |
| Width (mm) | 600 | | |
| Depth (mm) | 500 | | |
| Equipment | 4 shelves | - compartment with shelves - compartment with a shelf and a bar for clothes | - compartment with shelves - compartment for keeping brushes, mops and a bucket |



TECHNICAL SPECIFICATION

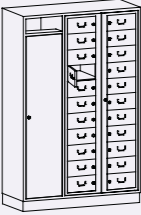
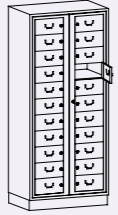
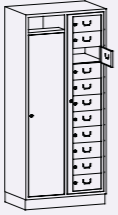

| |  |  |  |  |  |
|--------------------|---|---|---|---|--|
| Designation | WDL 42-1 | WDL 42-1 | WDL 42-1 | WDL 42-1 | Cabinet for clothes and shoes' drying |
| Code | WDL 401030 | WDL 401031 | WDL 401032 | WDL 401033 | WDL 401034 |
| Height (mm) | 2006 | | | | 1971 |
| Width (mm) | 800 | | | | 1515 |
| Depth (mm) | 490 | | | | 500 |
| Equipment | - ventilation and heating 1000 W | - ventilation and heating 1000 W, - internal partitions in compartments | - ventilation and heating 1000 W, - internal partitions in compartments, - a time switch, - power socket to link 3 lockers | - ventilation, - power socket to link 3 lockers | - a bar for clothes, - 20 pipes for shoes, - 2 heating and ventilation modules, - 2 handles to move the cabinet, - leveling feet |

METAL LOCKERS

- The common frame allows opening all compartments at the same time and placing clean gloves for each worker at one time, then each worker opens his compartment and takes his gloves out.
- The module of the locker also contains the compartment for hanging bag for dirty clothes.



TECHNICAL SPECIFICATION

| |  |  |  |  |
|--------------------------|---|---|---|---|
| Designation | WDL 1 | WDL 2 | WDL 3 | WDL 4 |
| Code | WDL 401035 | WDL 401036 | WDL 401037 | WDL 401038 |
| Height (mm) | 1900 | | | |
| Width (mm) | 1225 | 820 | 840 | 435 |
| Depth (mm) | 500 | | | |
| Quantity of compartments | 22 + chamber | 22 | 11 + chamber | 11 |



WDL 3